

# DOMINATOR

S1000



Introducing the Dominator S1000 Solar Lighting Tower Trailer, our cutting-edge, eco-friendly lighting solution, designed in-house to meet mining industry feedback.

With an impressive 78,810lm output, it offers 3.6 days of battery autonomy and 1.5 days of solar autonomy. The trailer's fully automatic setup and pack down, along with remote-controlled features and an easy-access design, ensure maximum convenience and efficiency.

Engineered for seamless deployment, it includes forklift pockets at both the front and side, a modular, forklift-able battery box, and a swing-up draw-bar for easier, more cost-effective transport.

- ✓ **Lightweight - Under 2 Tonne**
- ✓ **Modular Lithium Battery**
- ✓ **Fully Solar**
- ✓ **Fully Automated Deployment**
- ✓ **Easy Maintenance**
- ✓ **Designed In-House to Meet Mining Standards**



*Remote operated*



**LEARN MORE**

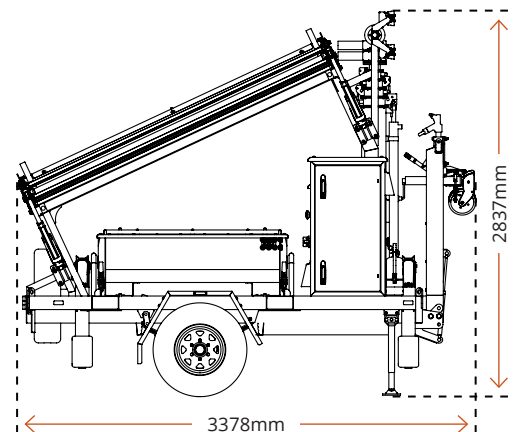
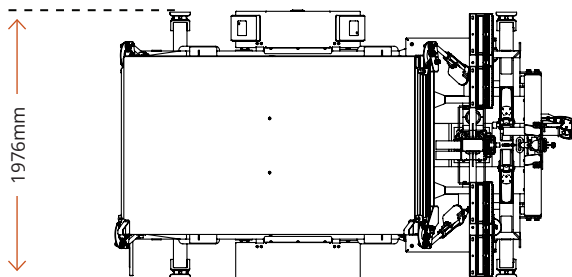
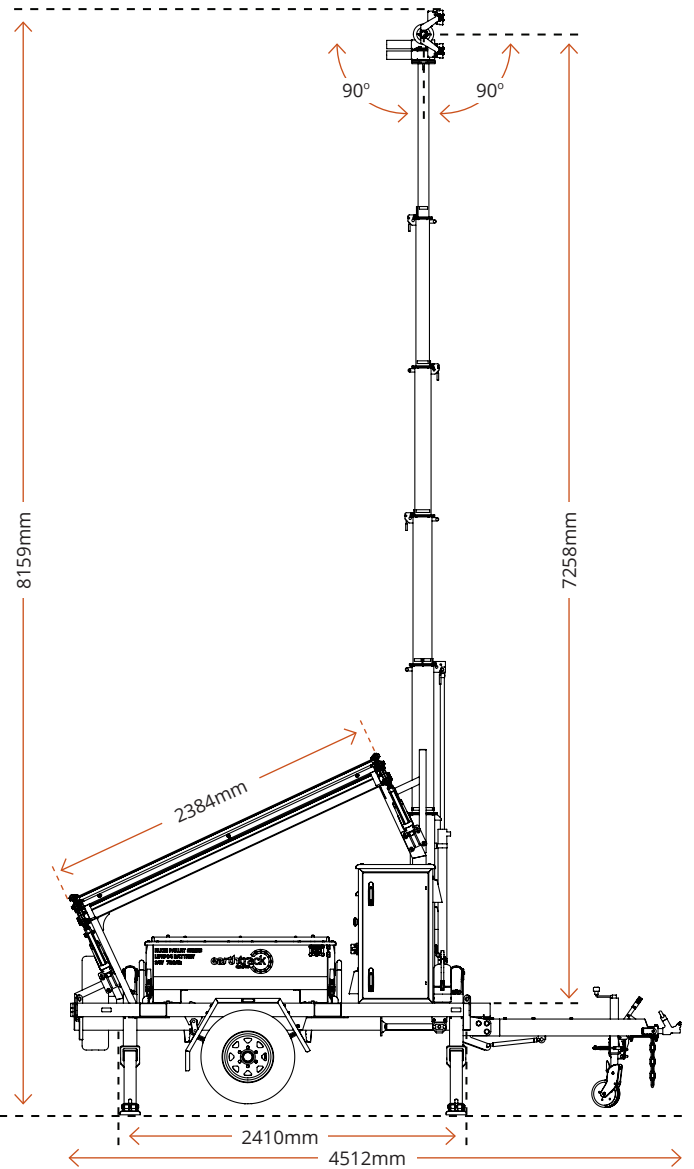
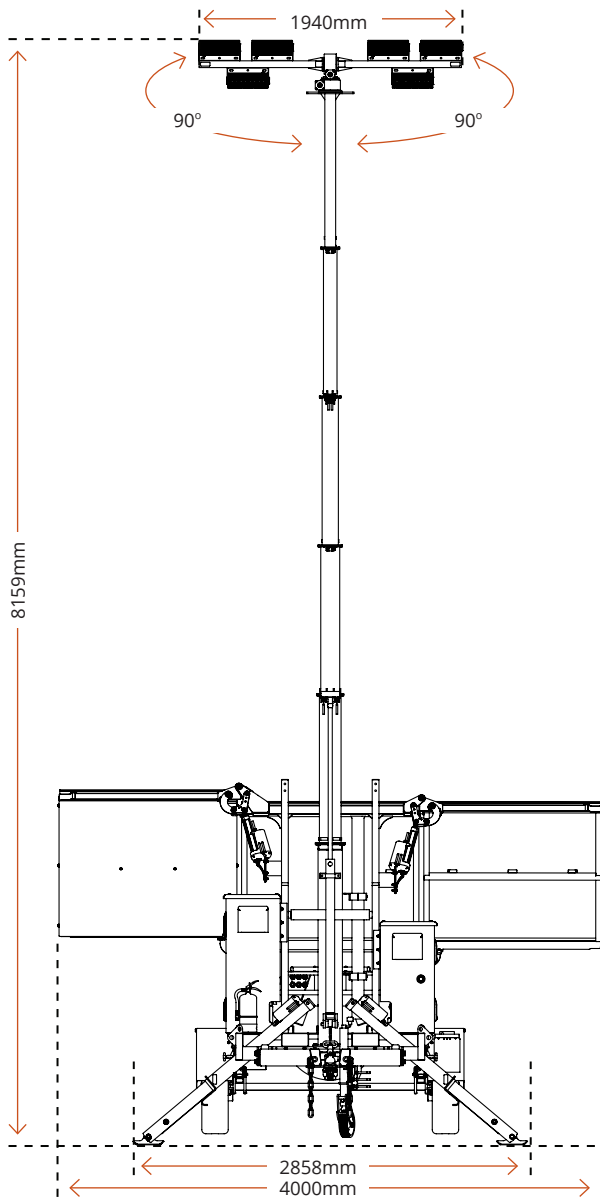
# SPECIFICATIONS

## DOMINATOR S1000

Code	ETG-13DS001
<b>LUMINAIRE</b>	
Total Lumen Output	78,810
Luminaire Warranty	5 Years
Lighting Control	Time control
<b>SOLAR</b>	
Solar Panel Wattage x Quantity	700W x 3
MPPT Controller	Smart MPPT controller
Solar Autonomy	1.5 Days
<b>BATTERY</b>	
Battery Part Number	ETG-14TB015
Battery Chemistry	LiFeP04 - Lithium Iron phosphate
Battery System (kWh)	18.43
Battery Autonomy	3.6 Days
Battery Warranty	3 Years
<b>DIMENSIONS</b>	
Length - Stowed (Draw-bar raised)	3302mm
Length - Stowed	4511mm
Width - Stowed	1994mm
Height - Stowed	2820mm
Length - Deployed	4610mm
Width - Deployed	4000mm
Height - Deployed	8159mm
Total Weight	1585kg
<b>OPERATION</b>	
Mast	Hydraulic operation
Light Head Tilt	Electric operation
Light Head Rotation	Electric operation
Solar Panel Deployment	Electric linear actuator
Stabiliser Legs	Electric linear actuator
Function Controls	Remote control & inbuilt control panel

# DIMENSIONS

## DOMINATOR S1000





1300 410 485 | [sales@etms.com.au](mailto:sales@etms.com.au) | [www.etms.com.au](http://www.etms.com.au)

