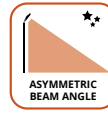
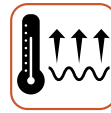


VEVA SIRIUS G2

ASYMMETRICAL AREA FLOODLIGHT



IP67
RATING
FOR DUST &
WATER
RESISTANCE

The state-of-the-art VEVA Sirius Gen2 floodlight has arrived – higher performance, lighter weight and improved optics, engineered for high mast and area flood lighting. Available from 60 to 1800W, making it ideal for billboards, signage, facade and sports field, court or stadium lighting.

GREAT PERFORMANCE WITH A SLIM PROFILE



- ✓ **Slim Profile Offering The Best Performance Ratio for Wind Resistance and Weight**
- ✓ **Versatile Sports And Area Flood Lighting, with System Efficacy Up To 140 Lm/W**
- ✓ **IP67 Rated for High Water and Dust Resistance**
- ✓ **Unique Heatsink Technology for Greater Thermal Performance**
- ✓ **5 Year Warranty**



LEARN MORE

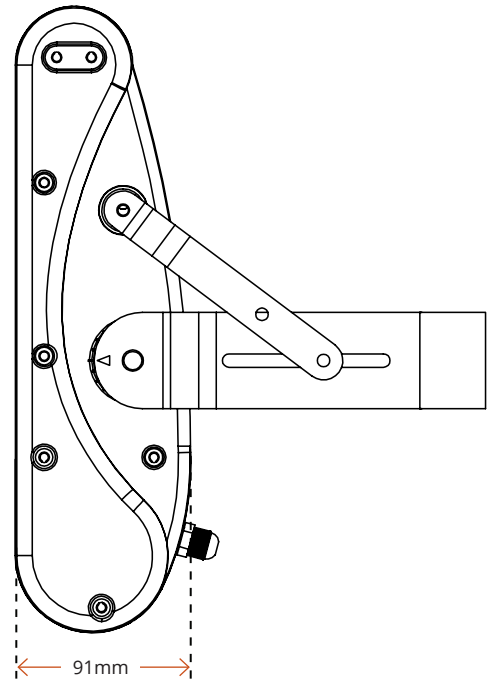
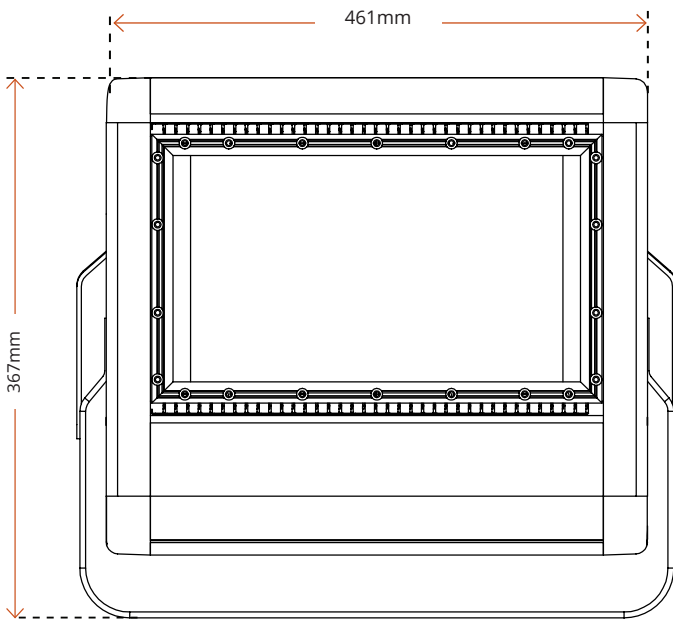
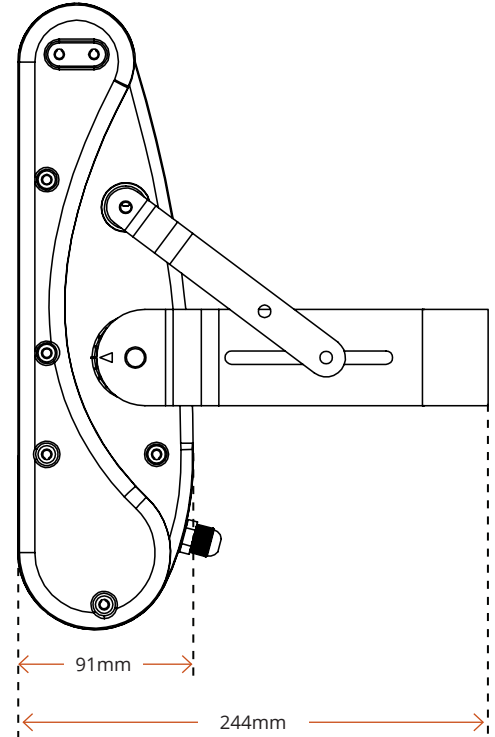
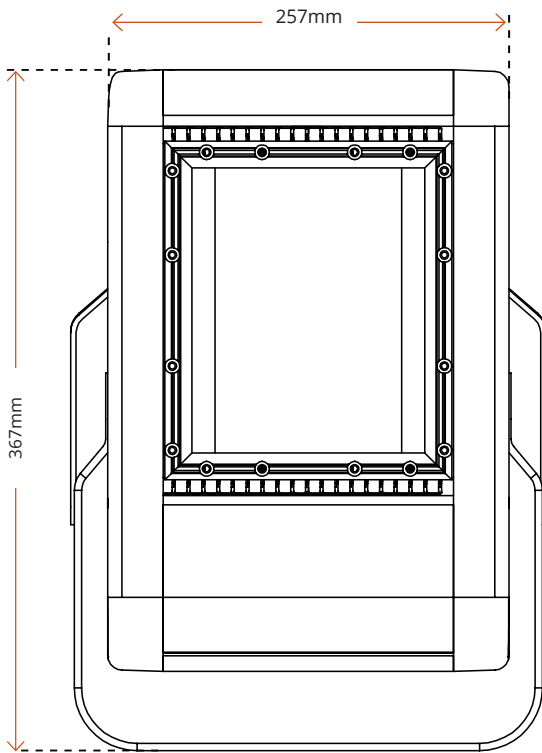
SPECIFICATIONS

ASYMMETRICAL AREA FLOODLIGHT

Code	ETG-02NV064	ETG-02NV065	ETG-02NV066	ETG-02NV067	ETG-02NV068	ETG-02NV069
LED Power (W)	50W	100W	150W	200W	300W	400W
Luminous flux (lm)	9,400	12,100	14,100	22,100	31,300	35,600
Weight (Kg)	4.2	5.9	5.9	7.2	8.2	8.9
Input Voltage	90-305VAC (347-48)					
CCT	4000K (Optional 3000K, 5000K, 6500K)					
CRI	>70 (80 optional)					
Ambient Temp	40°C					
Lifespan	100,000 Hours					
Input voltage PF	90-305VAC (347-480VAC optional) 50/60Hz >0.90					
Warranty	5 Year					

DIMENSIONS

ASYMMETRICAL AREA FLOODLIGHT





1300 410 485 | sales@etms.com.au | www.etms.com.au

