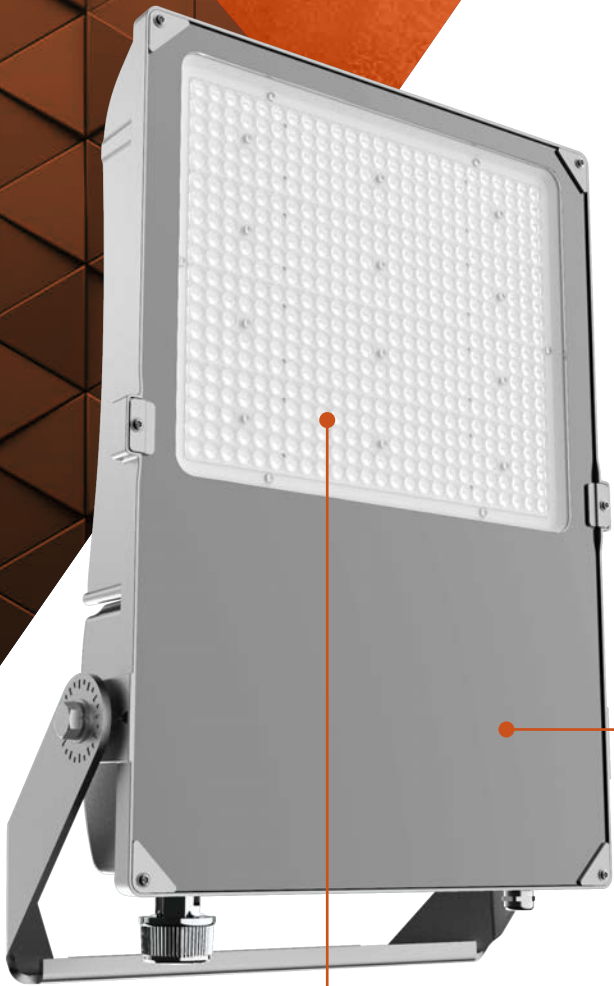
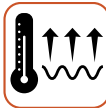


# VEVA NOVA

## ASYMMETRICAL AREA FLOODLIGHT



Introducing the Veva Nova Series LED Flood Lights – designed to deliver superior uniformity and minimal light spill with their advanced asymmetrical lighting distribution. Built with a rugged die-cast aluminium housing, equipped with external fins for optimal heat dissipation, these lights ensure lasting performance and reliability.

Available in seven different wattages, the Veva Nova Series caters to a wide array of applications, from construction sites and warehouses to sports centres and more. Whether illuminating mine site sheds, building exteriors, ports, or parks, these lights provide exceptional brightness and energy efficiency for any environment.

The Veva Nova series LED Flood Lights are the perfect blend of durability and efficiency, engineered to meet the demanding needs of Australian industrial and commercial settings.

### **DIE-CAST ALUMINIUM HOUSING**



- ✓ **Asymmetrical Lighting Distribution**
- ✓ **Reduced Unwanted Light Spill**
- ✓ **Die-Cast Aluminium Housing**
- ✓ **External Fins to Ensure Great Heat Dissipation**
- ✓ **Specially Designed Bracket For Easy And Quick Installation**
- ✓ **IP66 & IK08 Rated Weather and Impact Proof Makes it Ideal for Outdoor Use**



**LEARN MORE**

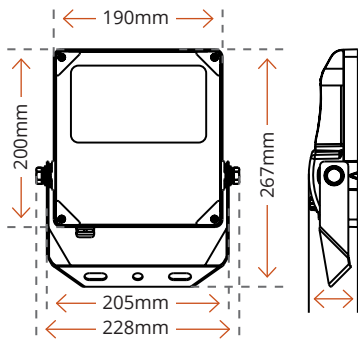
# SPECIFICATIONS

## VEVA NOVA ASYMMETRICAL AREA FLOODLIGHT

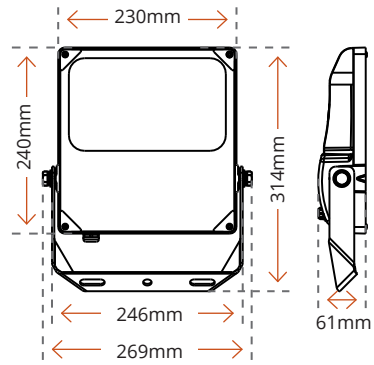
Code	ETG-02NV064	ETG-02NV065	ETG-02NV066	ETG-02NV067	ETG-02NV068	ETG-02NV069	ETG-02NV070
Wattage (W)	50W	100W	150W	200W	300W	400W	500W
Lumen (Lm)	7,000	14,000	21,000	28,000	42,000	62,000	77,500
Weight (Kg)	1.8	2.8	3.9	5.3	8.1	11.5	12.5
Luminance Efficiency (Lm/W)	140 Lm/W					155 Lm/W	
Input Voltage	220-240VAC					100-240VAC	
CCT	4000K						
Beam angle	60°						
Operating Temperature	30°C to +50°C						
IP Rating	IP66						
IK Rating	IK08						
Coating	Anti-Corrosive, Powder Coated						
Warranty	5 Years warranty						

# DIMENSIONS

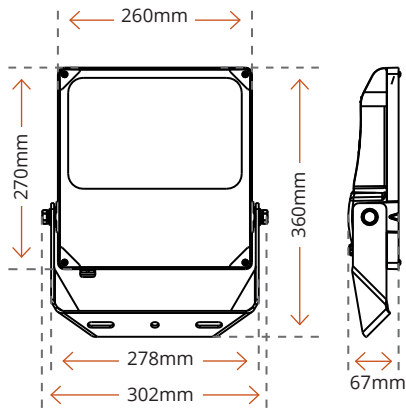
## VEVA NOVA ASYMMETRICAL AREA FLOODLIGHT



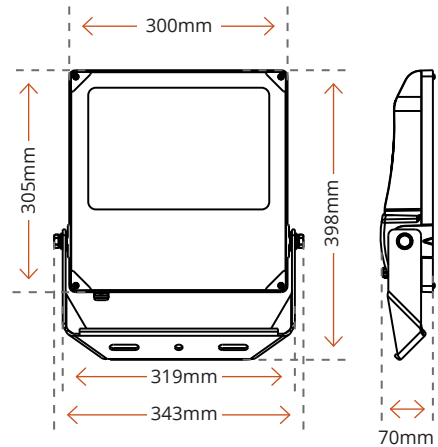
ETG-02NV064



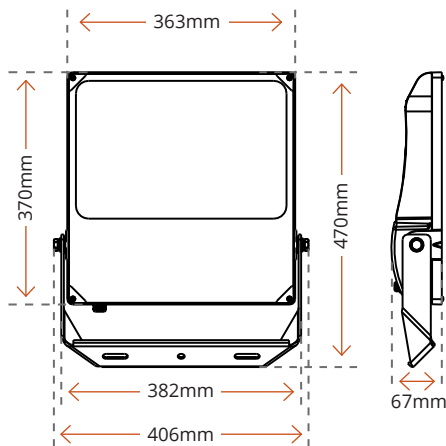
ETG-02NV065



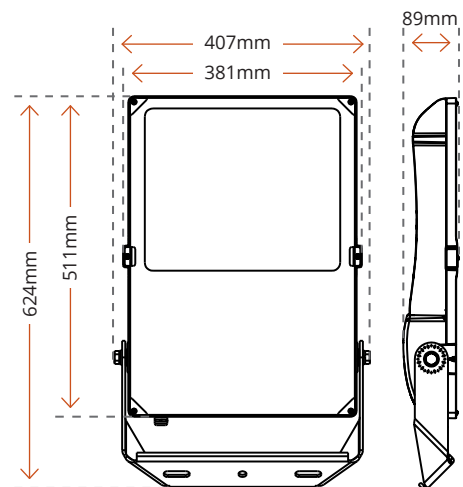
ETG-02NV066



ETG-02NV067



ETG-02NV068



ETG-02NV069 | ETG-02NV070



1300 410 485 | [sales@etms.com.au](mailto:sales@etms.com.au) | [www.etms.com.au](http://www.etms.com.au)

