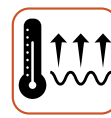


## EXPLOSION PROOF FLOOD LIGHT



The Tank is a robust, explosion-proof LED flood light, designed for industrial spaces.

With a durable build, high-efficiency LEDs with a lifespan of over 100,000 hours, the Tank features low harmonic distortion, surge protection, vibration resistance, and a corrosion resistant/dust-proof body.

Ideal for coastal areas, oil & gas, power plants, petrochemical industries etc.

### **CORROSION RESISTANT FINISH**



- ✓ **High Efficacy LED Source With Long Lifespan >100,000 Hours**
- ✓ **5 Year Performance Warranty**
- ✓ **Low Thd Around 10%, Less Interference**
- ✓ **6KV Surge Protection**
- ✓ **Robust Aluminium Housing and Strong Tempered Glass**
- ✓ **Vibration and Shock Resistant**
- ✓ **Low Maintenance**
- ✓ **Dust Proof Structure Design to Avoid Dust Accumulation**



**LEARN MORE**

# SPECIFICATIONS

## EXPLOSION PROOF FLOOD LIGHT

Model	ETG-10XT040	ETG-10XT041	ETG-10XT042	ETG-10XT043	ETG-10XT044
Power (Wattage)	80	100	120	160	200
Solar PV (Lumens)	10896 - 12107	13458 - 14954	15579 - 17310	20619 - 22910	26230 - 29145

Model	ETG-10XT045	ETG-10XT046	ETG-10XT047	ETG-10XT048
Power (Wattage)	240	320	400	480
Solar PV (Lumens)	30884 - 34136	41760 - 46400	52248 - 58054	62208-69120



ETG-10XT040  
ETG-10XT041  
ETG-10XT042



ETG-10XT043  
ETG-10XT044  
ETG-10XT045

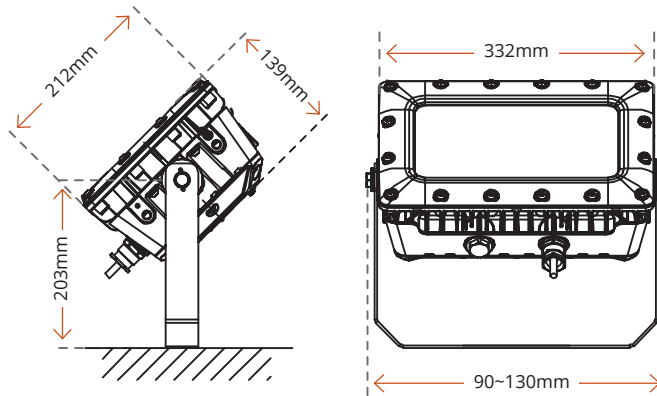


ETG-10XT046  
ETG-10XT047  
ETG-10XT048

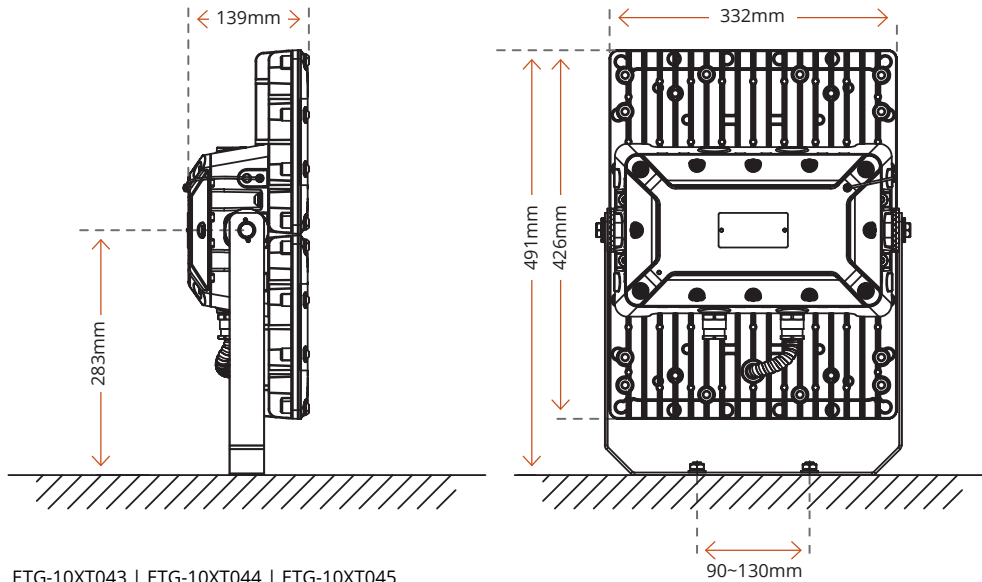
Input Voltage (V) - (Hz)	AC 120-277V - 50/60 Hz
CCT(K)	3000K / 4000K / 5000K
CRI	Ra>70
Luminaire Efficacy	130lm/W
Beam Types	25° / 60° / 120°
Driver Efficiency	≥90%
PF	>0.95
Dimensions (mm)	328*271*176
Weight (kg)	15.2Kg (80W)   15.3Kg (100W) 15.5Kg (150W)
Surge Protection	4kV
IP Rating	IP66
Ambient Operating Humidity	5%-95% RH
Ambient Operating Temp.	-25°C ≤ Ta ≤ +50°C
Optimal Operating Temp.	25°C
Body Colour	Grey
Mounting Options	Pole, ceiling, and wall
Body	CU free aluminium   tempered glass lens
Warranty	5 Years (50,000 hrs)

# DIMENSIONS

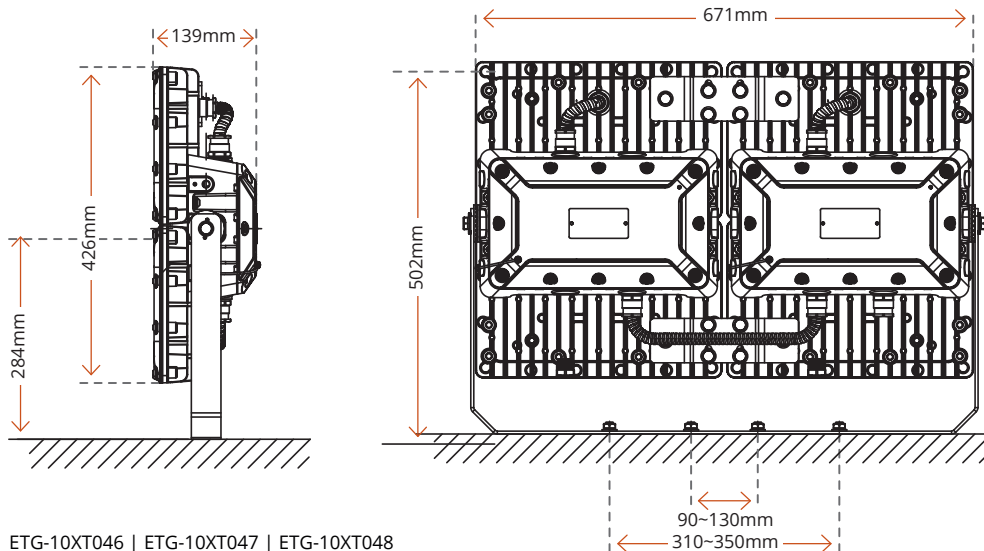
## PRODUCT VARIATION



ETG-10XT040 | ETG-10XT041 | ETG-10XT042



ETG-10XT043 | ETG-10XT044 | ETG-10XT045



ETG-10XT046 | ETG-10XT047 | ETG-10XT048



1300 410 485 | [sales@etms.com.au](mailto:sales@etms.com.au) | [www.etms.com.au](http://www.etms.com.au)

