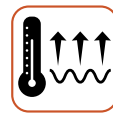


EXPLOSION PROOF FLOOD/HIGH BAY LIGHT

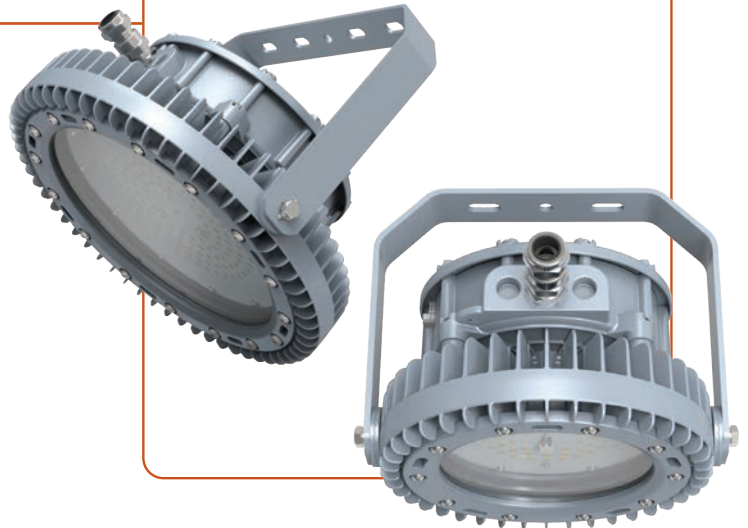


IP66
RATING
FOR DUST &
WATER
RESISTANCE

The KATLA is a powerful, explosion-proof highbay/ flood light designed for use in industries like oil & gas, mining, and manufacturing. It offers adjustable lighting, robust construction, and 5kV surge protection.

Suitable for explosive atmospheres, it complies with relevant certifications and ratings for reliable performance. Choose from various mounting options and wattages to suit your specific needs.

**FOR HIGH BAY OR
FLOOD MOUNTING**



- ✓ **Suitable for Explosive Atmosphere Zone 1 & 2 and Explosive Dust Zone 21 & 22**
- ✓ **Low THD Around 10%, Less Interference**
- ✓ **Robust Aluminium Housing and Tempered Glass Lens**
- ✓ **5kV Surge Protection**
- ✓ **Ceiling, Wall and Floor Mounting Options**
- ✓ **Gas: II 2 G Ex db IIC T5/T6 Gb | Dust: II 2 D Ex tb IIIC T95°C/80°C Db | ATEX ECL 19 ATEX-B SU43 | IECEx, CE, RoHS, IP66**
- ✓ **Zones: Group II, Zone 1 & 21 and 2 & 22**



LEARN MORE

SPECIFICATIONS

KATLA EXPLOSION PROOF FLOOD/HIGH BAY LIGHT

Model	ETG-10KX014	ETG-10KX015	ETG-10KX016	ETG-10KX017	ETG-10KX018
<i>Emergency Model</i>	<i>ETG-10EK024</i>	<i>ETG-10EK025</i>	<i>ETG-10EK026</i>	<i>ETG-10EK027</i>	<i>ETG-10EK028</i>
Power (W)	30	45	60	80	100
Luminous Flux (lm)	3,900 - 4,200	5,850 - 6,300	7,800 - 8,400	10,400 - 11,200	13,288 - 14,764

Model	ETG-10KX019	ETG-10KX020	ETG-10KX021	ETG-10KX022	ETG-10KX023
<i>Emergency Model</i>	<i>ETG-10EK029</i>	<i>ETG-10EK030</i>	<i>ETG-10EK031</i>	<i>ETG-10EK032</i>	-
Power (W)	120	150	200	240	300
Luminous Flux (lm)	15,484 - 17,204	18,559 - 20,621	27,350 - 30,389	32,140	42,525

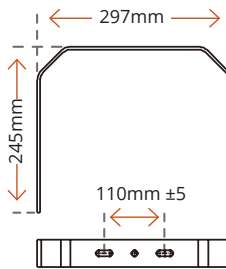
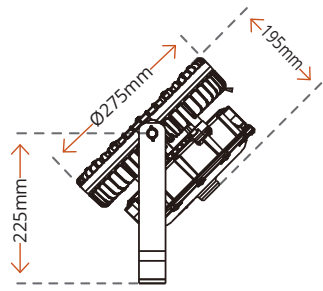
Luminaire Efficiency	140
Input Voltage	AC100-277, 50/60Hz
PF	>0.98
Protection	Surge protection:5kV earthing protection: M4
CCT	3000K / 4000K / 5000K / 5700K
CRI	Ra70
Beam Angle	60°/80°/120° (standard/emergency) 80°/120° (sensor)
THD	<10%
IP Rating	IP66
LED Driver	Over voltage protection, short circuit protection
Optional Controls	DALI dimming emergency sensor 0-10V dimming
*Sensor	5.8 GHz ±75 MHz ISM band 0-10VDC standby: 0.3w sensor radius: 5-6m installation height 7m~12m (max)
Operating Temperature	-40°C~ +55°C
Ambient Temperature	-40°C ~ +55°C EM -20°C ~ +55°C
Outer Diameter	Ø7 - Ø14mm
Connecting Terminals	3*1.0-4mm ² (L + N + PE)
Available Cable Outer dia	Ø7- Ø14mm
Cable Entries	2XNPT 3/4" (M20*1.5, M25*1.5 are optional)
Body Colour	Grey RAL7040
Enclosure Material	Die-casting aluminium
Coating	Epoxy powder coating
Protective Cover& Fastner	Tempered glass & stainless steel
Earthing Protection	M4 (internal and external earth bolts)
Warranty	Luminaire - 5 years (50,000 Hrs) battery - 1 year (500 cycles)

EMERGENCY OPTION SPECIFICATIONS

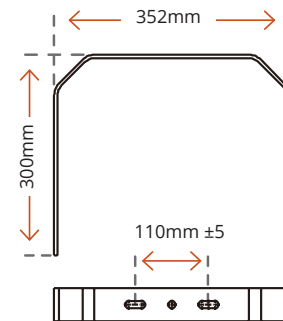
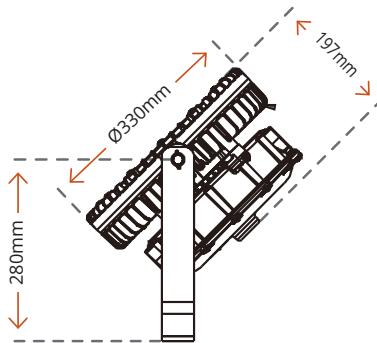
Rated Capacity	Type	Lifespan	Backup	Emergency Power	Charging Time
9.6V 4Ah	Ni-MH	500 cycles	3 hours	10W	>24 hours

DIMENSIONS

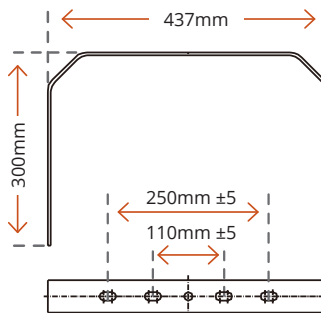
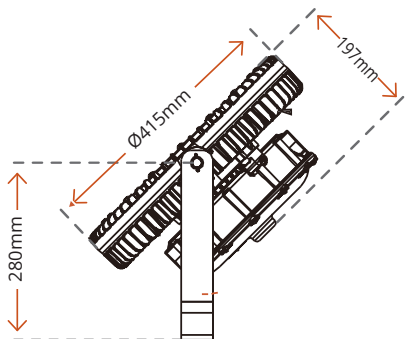
KATLA EXPLOSION PROOF FLOOD/HIGH BAY LIGHT



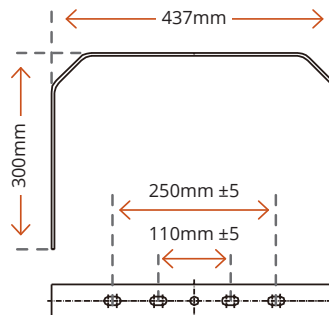
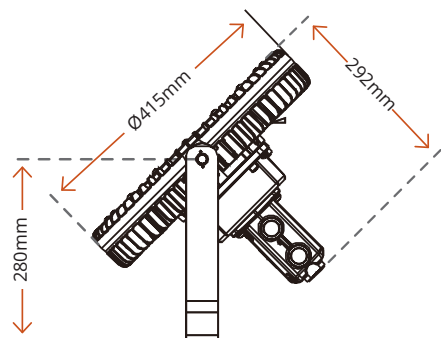
ETG-10KX014	ETG-10EK024
ETG-10KX015	ETG-10EK025
ETG-10KX016	ETG-10EK026
ETG-10KX017	ETG-10EK027



ETG-10KX018	ETG-10EK028
ETG-10KX019	ETG-10EK029
ETG-10KX020	ETG-10EK030



ETG-10KX021	ETG-10EK031
ETG-10KX022	ETG-10EK032



ETG-10KX023



1300 410 485 | sales@etms.com.au | www.etms.com.au

