

# FORT SOLAR PATHWAY

## ALL-IN-ONE SOLAR STREET LIGHTING

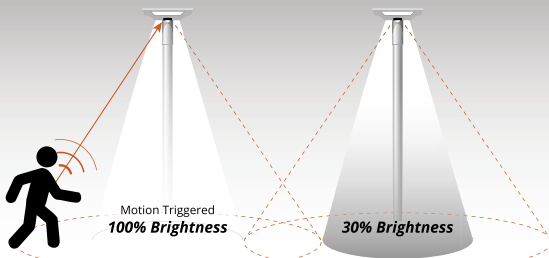


The FORT has a compact all-in-one design with an Integrated solar panel, battery, controller and sensor. It's easy to install, with no need for any wiring, allowing it to bring light to areas without access to electricity.



- ✓ IP65 certified
- ✓ No wiring required
- ✓ 200Lm/W efficiency
- ✓ Different mounting options
- ✓ Anti-corrosive
- ✓ Easy maintenance

### INTELENGENT & EFFICIENT



The Fort comes pre-programmed with PIR sensor auto-brightness. It operates normally at 30% brightness, brightens to 100% when motion is detected, and then dims to 30% once motion ceases.



**LEARN MORE**

# SPECIFICATIONS

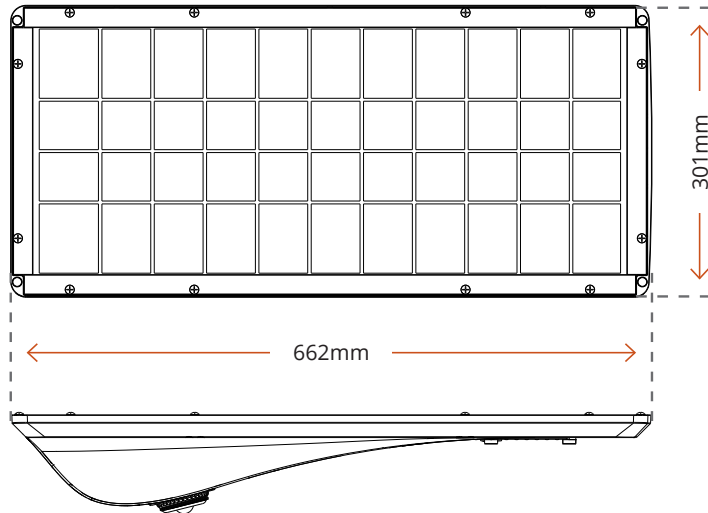
## FORT SOLAR PATHWAY LIGHT

Code	ETG-11FA067	ETG-11FA068	ETG-11FA075
Wattage	20W	40W	60W
Lumen Output	4,000	8,000	12,000
Actual Weight	5.7±0.3kg	13.9±0.3kg	15±0.3kg
Dimensions (Minus Spigot)	807(l) x 301(d) x 148(h)mm	965(l) x 429(d) x 187mm(h)	
Battery Capacity	153.6Wh-12Ah	307.2Wh-24Ah	460.8Wh-36Ah
Charging Time	>6 Hours		>9Hours
LM/W	200 Lumens per Watt		
IP Rating	IP65		
IK Rating	IK08		
Operating Temperature (K)	0°C to +50°C		
Beam Angle	R10801		
Colour Temperature	4000K		
Battery	LiFeP04 Battery		
Operating Time	Normal mode with 100% Brightness >8 Hours   Intelligent mode 3-4 days		
Pre-Programmed Lighting Pattern	Auto-Bright Streetlight Factory Setting: Operates at 30% brightness. Brightens to 100% when motion is detected, then dims to 30% once motion ceases		
Solar Charge Controller	MPPT		
Control	Timer dimming/PIR sensor		
Material	Aluminium Alloy   Polycarbonate Optical Lens   Mono-crystalline Solar Panel		
Finish	Anti-Corrosive Coating		
Warranty	3 Years Warranty		

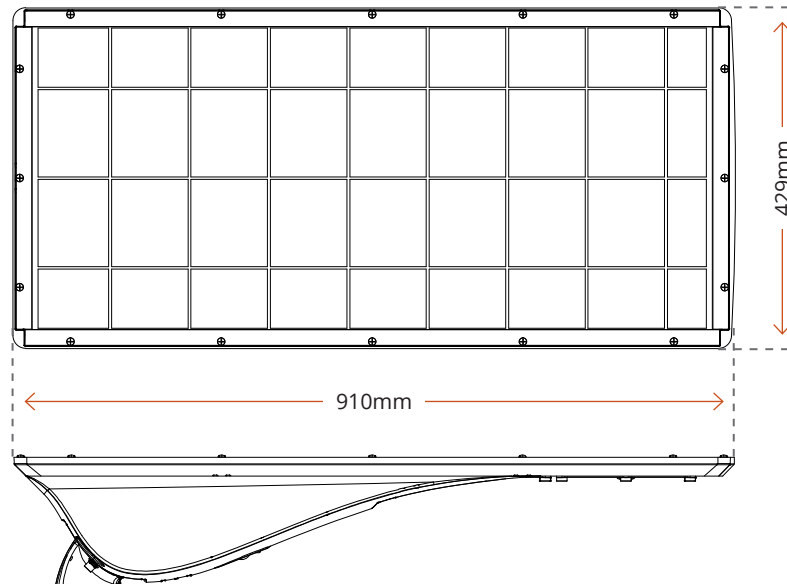
# DIMENSIONS

## FORT SOLAR PATHWAY LIGHT

20W



40W | 60W





1300 410 485 | [sales@etms.com.au](mailto:sales@etms.com.au) | [www.etms.com.au](http://www.etms.com.au)

