

# VEVA NOVA SERIES

<b>5</b> YR WARRANTY	<b>66</b> IP RATING	<b>08</b> IK RATING	<b>140-155</b> LM/W
----------------------------	------------------------	------------------------	------------------------



- High lumen output, with lower power draw
- 1.5m AU plug for user-friendly installation
- Anti-corrosive coating, ensuring resistance to damp air conditions and salt spray
- Built-in surge protection from 6kV up to 20kV (depending on model type)
- External housing cooling fins, ensuring greater heat dissipation.

## IDEAL FOR

- Industrial Areas
- Sports Centres
- Ports and Jetties
- Shopping Centres
- Car Parks
- Billboards & Signage
- Parks & Sculptures
- Building Facades

**STOCK**  
Available

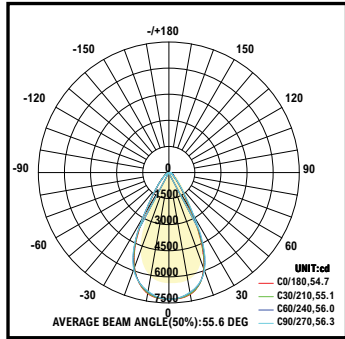


PRODUCT NAME	VEVA-NOVA 50W	VEVA-NOVA 100W	VEVA-NOVA 150W	VEVA-NOVA 200W	VEVA-NOVA 300W	VEVA-NOVA 400W	VEVA-NOVA 500W
Code	02NV064	02NV065	02NV066	02NV067	02NV068	02NV069	02NV070
Wattage (W)	50	100	150	200	300	400	500
Lumen (Lm)	7,000	14,000	21,000	28,000	42,000	62,000	77,500
Colour Temperature	4000K						
Luminance Efficiency (Lm/W)	140 Lm/W			155 Lm/W			
Beam Angle	60°						
Operating Temperature	-30°C to +50°C						
Driver	Sosen	Sosen	Sosen	Sosen	Inventron-	Sosen	Sosen
IP Rating	IP66						
IK Rating	IK08						
Input Voltage	220-240VAC					100-240VAC	
Coating	Anti-Corrosive, Powder Coated						
Warranty	5 Year warranty						

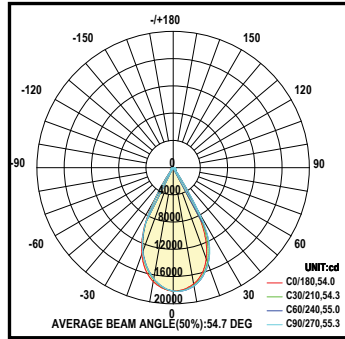
## DIMENSIONS & WEIGHT

PRODUCT NAME	CODE	WEIGHT (KG)	SIZE (MM)
Veva-Nova Slimline Flood Light 50W	02NV064	1.8	228(w) x 267(h) x 55(d)
Veva-Nova Slimline Flood Light 100W	02NV065	2.8	269(w) x 314(h) x 61(d)
Veva-Nova Slimline Flood Light 150W	02NV066	3.9	302(w) x 360(h) x 67(d)
Veva-Nova Slimline Flood Light 200W	02NV067	5.3	343(w) x 398(h) x 70(d)
Veva-Nova Slimline Flood Light 300W	02NV068	8.1	406(w) x 470(h) x 80(d)
Veva-Nova Slimline Flood Light 400W	02NV069	11.5	407(w) x 624(h) x 89(d)
Veva-Nova Slimline Flood Light 500W	02NV070	12.5	407(w) x 624(h) x 89(d)

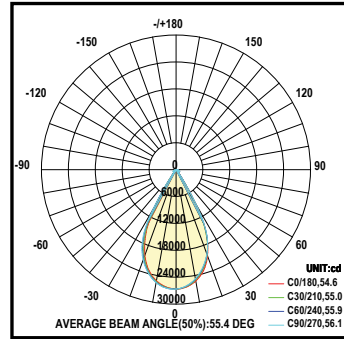
## PHOTOMETRIC DIAGRAM



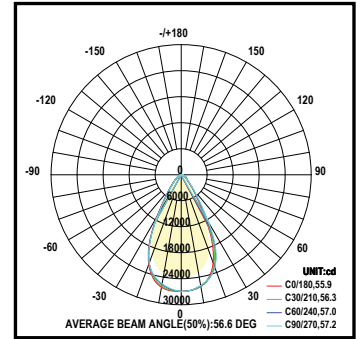
50W



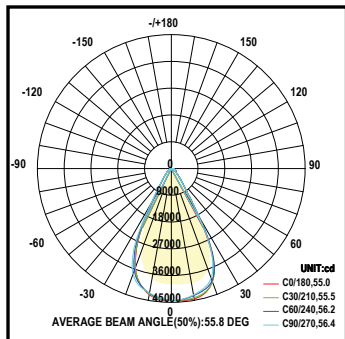
100W



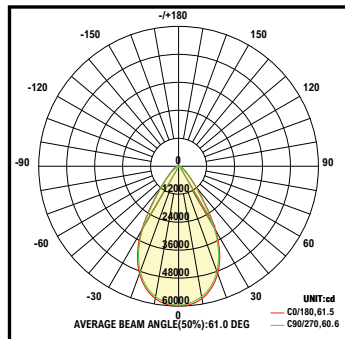
150W



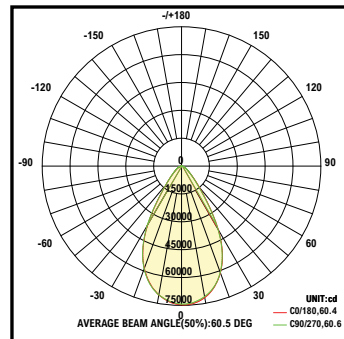
200W



300W



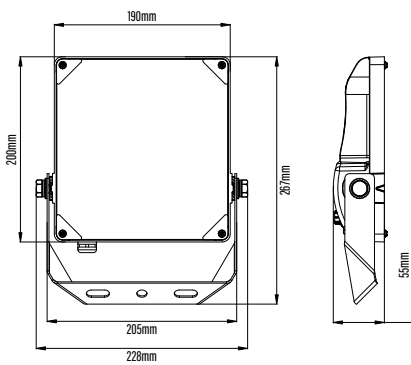
400W



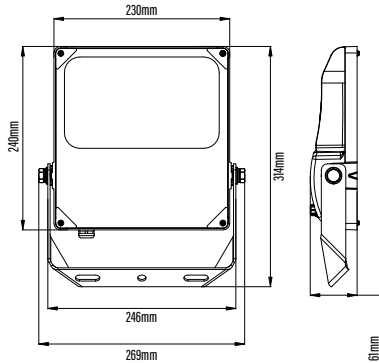
500W

## DIMENSIONS

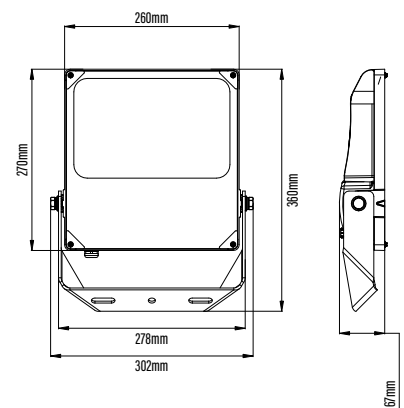
50W



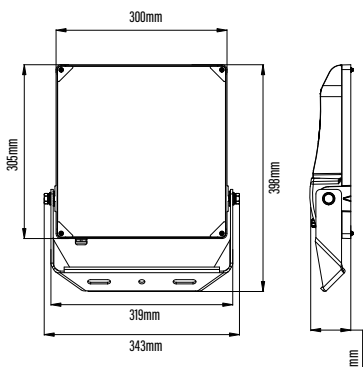
100W



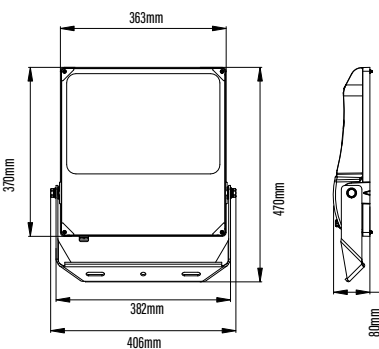
150W



200W



300W



400W | 500W

