



Ex TANK FLOOD LIGHT

- + High efficacy LED Source with long lifespan >100,000 hours
- + 5-year performance warranty
- + Low THD around 10%, Less interference
- + 6KV Surge Protection
- + Robust aluminium housing and strong tempered glass
- + Vibration and shock resistant
- + Low maintenance
- + Dust proof structure design to avoid dust accumulation

Applications

- Oil & Gas Exploration
- Drilling
- Oil Refineries
- Petrochemical Industries
- Power Plants
- Large Workshops
- Disaster Relief
- Industrial Areas



80W | ETG-EXTANK80
100W | ETG-EXTANK100
120W | ETG-EXTANK120

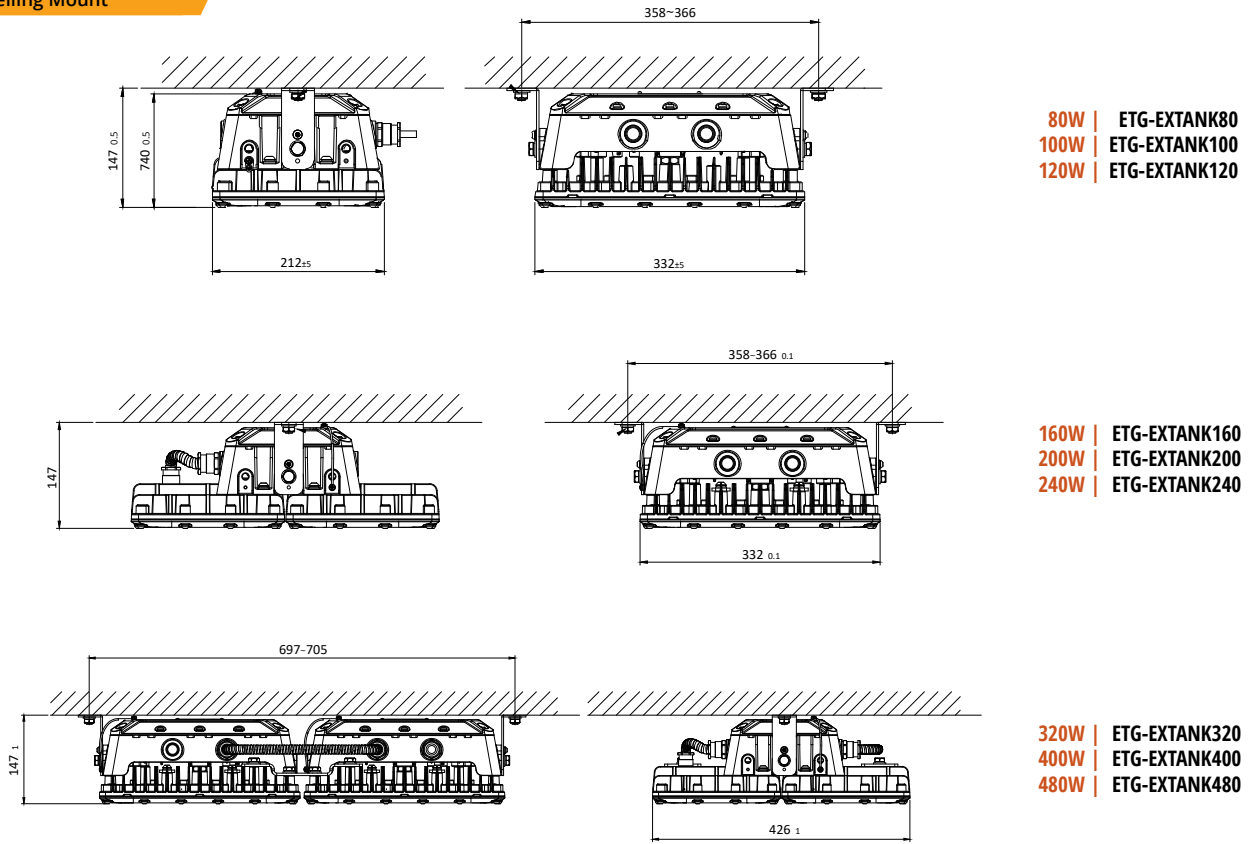
160W | ETG-EXTANK160
200W | ETG-EXTANK200
240W | ETG-EXTANK240

320W | ETG-EXTANK320
400W | ETG-EXTANK400
480W | ETG-EXTANK480

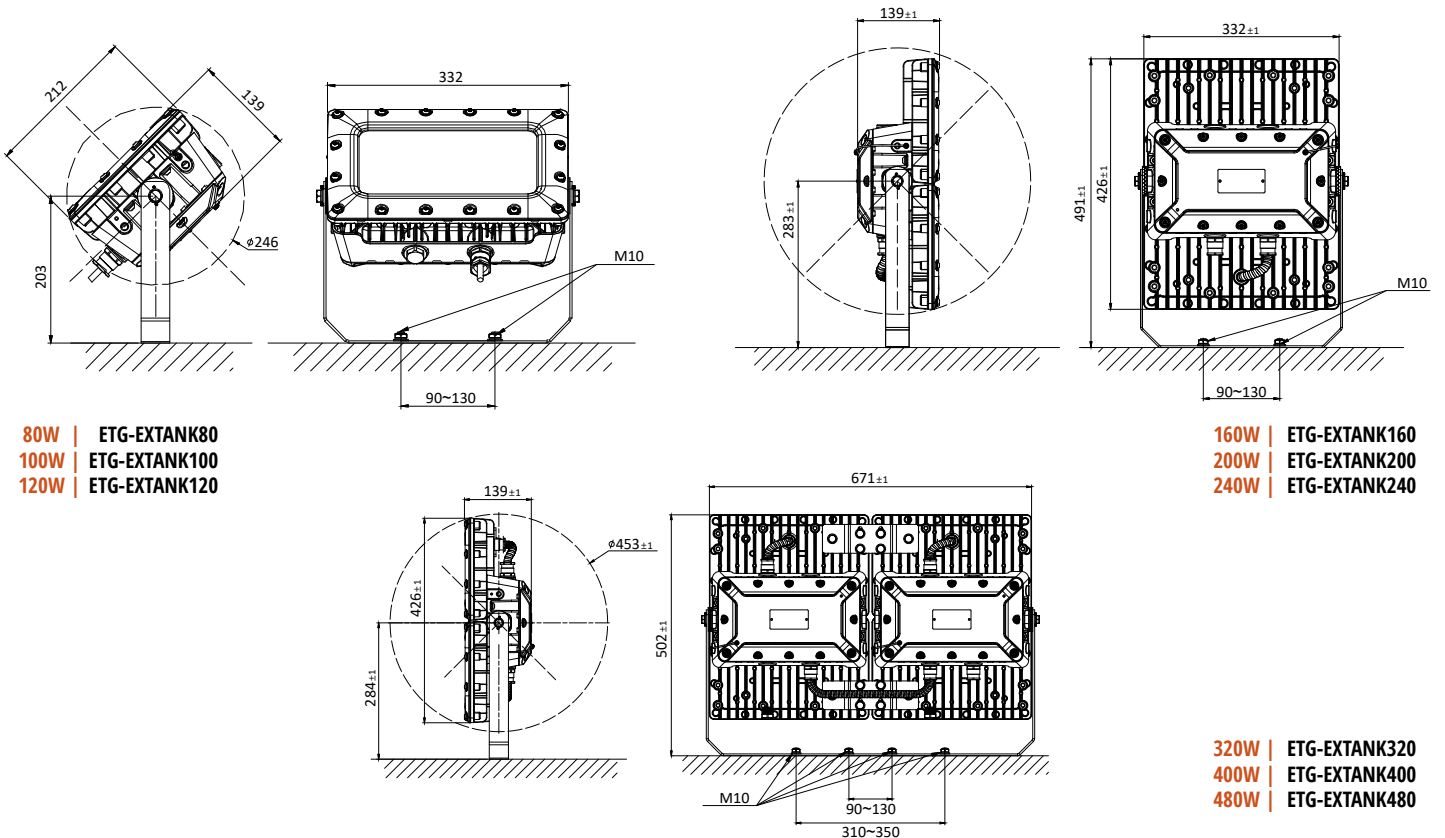


Dimensions | Ceiling Mount

Units: mm

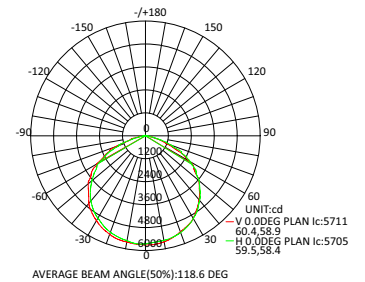
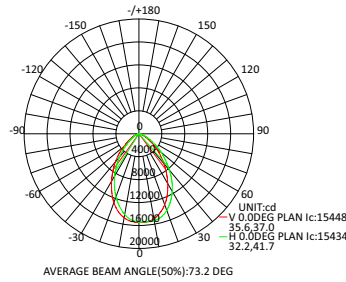
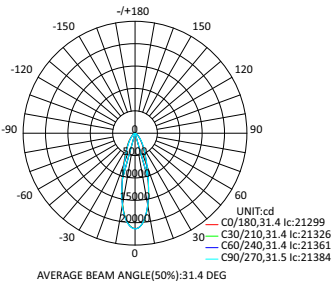


Dimensions | Wall Mount





Photometric Curve



Specifications

Certificate	ATEX Certification NO.: TÜV 21 ATEX 8775 X IECEx Certification NO.: IECEx TUR 21.0070X
Standards	(IEC)EN 60079-0, (IEC)EN 60079-1, (IEC)EN 60079-28, (IEC)EN 60079-31 EN 55015, EN 61547, EN 61000-3-2, EN 61000-3-3, EN 60598-1, EN 60598-2-5, EN 62031, EN 62493, IEC 62321-4, IEC 62321-5, IEC 62321-6, IEC 62321-7-1 IEC 62321-7-2, IEC 62321-8
Classification	GROUP II, ZONE 1 & 21 AND 2 & 22

ELECTRICAL AND PHOTOMETRICS

Lumen Efficiency	Max:152lm/W
Lifespan	>50,000 HOURS
Operating Voltage	100-277 VAC,20-30 VAC,347-480 VAC,141-391VDC,491-679 VDC
Power	80W/100W/120W(Single lamp),160W/200W/240W(Two lamps), 320W/400W/480W(Four lamps)
Frequency	50/60HZ
Power Factor	>0.98
THD	<10%
Insulation Class	I
Surge Protection	4KV/6KV
LED Driver	Over voltage protection/short circuit protection

MECHANICAL FEATURES

Weight	8.3Kg(80W~120W)/13Kg(160W~240W)/27kg(320W~480W)
Size	332*212*142mm(80W~120W)/332*426*142mm(160W~240W) /671*426*142mm(320W~480W)
Ambient Temperature	-40°C~+55°C
Connecting Terminals	3*1.0-4mm²(L+N+PE)
Cable Entries	2XM20*1.5 (NPT 3/4", M25*1.5 are optional)
Earthing Protection	M4 (Internal & external earth bolts)
IP Rating	IP66
Enclosure Material	Aluminium
Enclosure Colour	Grey RAL7040
Coating	Epoxy powder coating
Exposed Fastener	Stainless steel
Protective Cover	Tempered glass, Stand 7J impact
Enclosure Colour	Grey RAL7040