



Ex KATLA

FLOOD/HIGH BAY LIGHT

Emergency Option

- + Suitable for explosive atmosphere zone 1 & 2 and explosive dust zone 21 & 22
- + Fully adjustable, focused high bay light where you need it most
- + Robust aluminium housing and tempered glass
- + 5kV surge protection
- + Mounting options: ceiling, wall and floor

Certifications & Compliance

- + Gas: II 2 G Ex db IIC T5/T6 Gb
Dust: II 2 D Ex tb IIIC T95°C/80°C Db
ATEX ECM 19 ATEX-B SU43
IECEX, CE, RoHS, IP66

Area Classification

- + Group II, Zone 1 & 21 and 2 & 22

Application

- Marine Loading Terminals
- Chemical Processing Facility
- Manufacturing Plant
- Petrol Station

Specification



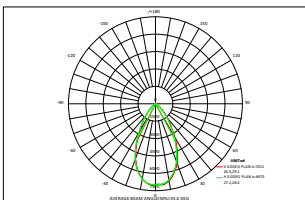
MODEL	POWER	LUMINOUS FLUX (LM)		TEMP. CLASSIFICATION		EMERGENCY	DIMENSIONS (mm)	WEIGHT (Kg)	
		Standard	Emergency	-40°C ~ +55°C	-40°C ~ +65°C			-20°C ~ +55°C	Standard
ETG-EKKAT30	30	3900~4200	1300~1400	T6	T5	T6	ø 275*195	8.5	9.5
ETG-EKKAT45	45	5850~6300		T6	T5	T6			
ETG-EKKAT60	60	7800~8400		T6	T5	T6			
ETG-EKKAT80	80	10,400~11,200		T5	T4	T5			
ETG-EKKAT100	100	13,288~14,764		T6	T5	T5	ø 330*197	11	12
ETG-EKKAT120	120	15,484~17,204		T5	T4	T5			
ETG-EKKAT150	150	18,559~20,621		T5	/	T5			
ETG-EKKAT200	200	27,350~30,389		T5	/	T5	ø 415*197	14	15
ETG-EKKAT240	240	32,140~35,751		T5	/	T5			
ETG-EKKAT300	300	42,525	/	T4	/	/	ø415*292	15	/

Emergency Option (EM)	RATED CAPACITY	TYPE	LIFESPAN	BACKUP	EMERGENCY POWER	CHARGING TIME
	9.6V 4Ah	Ni-MH	500 cycles	3 hrs	10W	>24 Hours

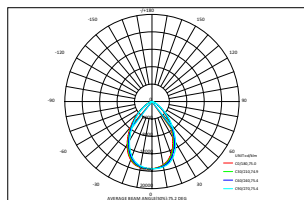
Specifications

Luminaire Efficacy	140	Operating Temperature	-40°C~ +55°C
Input Voltage	AC100-277, 50/60Hz	Ambient Temperature	-40°C ~ +55°C EM -20°C ~ +55°C
PF	>0.98	Outer Diameter	Ø7 - Ø14mm
Protection	Surge Protection:5kV Earthing Protection: M4	Connecting Terminals	3*1.0-4mm ² (L + N + PE)
CCT	3000K / 4000K / 5000K / 5700K	Available Cable Outer dia	Ø7- Ø14mm
CRI	Ra70	Cable Entries	2XNPT 3/4" (M20*1.5, M25*1.5 are optional)
Beam Angle	60°/80°/120° (Standard/Emergency) 80°/120° (Sensor)	Body Colour	Grey RAL7040
THD	<10%	Enclosure Material	Die-casting Aluminium
IP Rating	IP66	Coating	Epoxy powder coating
LED Driver	Over voltage protection, Short circuit protection	Protective Cover& Fastner	Tempered Glass & Stainless Steel
Optional Controls	DALI Dimming Emergency Sensor 0-10V Dimming	Earthing Protection	M4 (Internal and External earth bolts)
*Sensor	5.8 GHz ±75 MHz ISM Band 0-10VDC Standby: 0.3W Sensor Radius: 5-6m Installation Height 7m~12m (max)	Warranty	Luminaire - 5 Years (50,000 Hrs) Battery - 1 Year (500 Cycles)

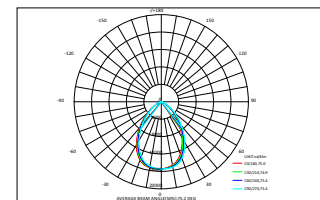
Photometrics



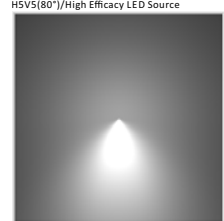
H4V4(60°)/High Efficacy LED Source



H5V5(80°)/High Efficacy LED Source



H5V5(80°)/High Efficacy LED Source



Mounting Accessories

Stanchion Bracket

Ceiling Mount | Stanchion Mount | Wall Mount



Weight: 1.3kg
30W|45W|60W|80W



Weight: 1.5kg
100W|120W | 150W



Weight: 1.8kg
200W|240W | 300W

Pole Mount Bracket



Weight: 3.56kg
30W|45W|60W|80W



Weight: 3.76kg
100W|120W | 150W



Weight: 4.06kg
200W|240W | 300W

Loop



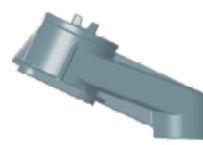
Weight: 0.26kg

Pipe Connector



Weight: 0.28kg

25° Pole Mount Bracket



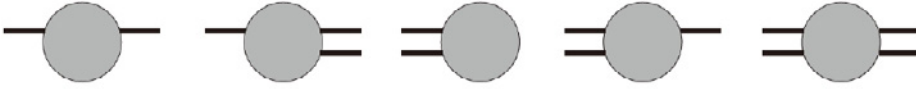
Weight: 1.14kg
30W|45W|60W|80W

0° Pole Mount Bracket



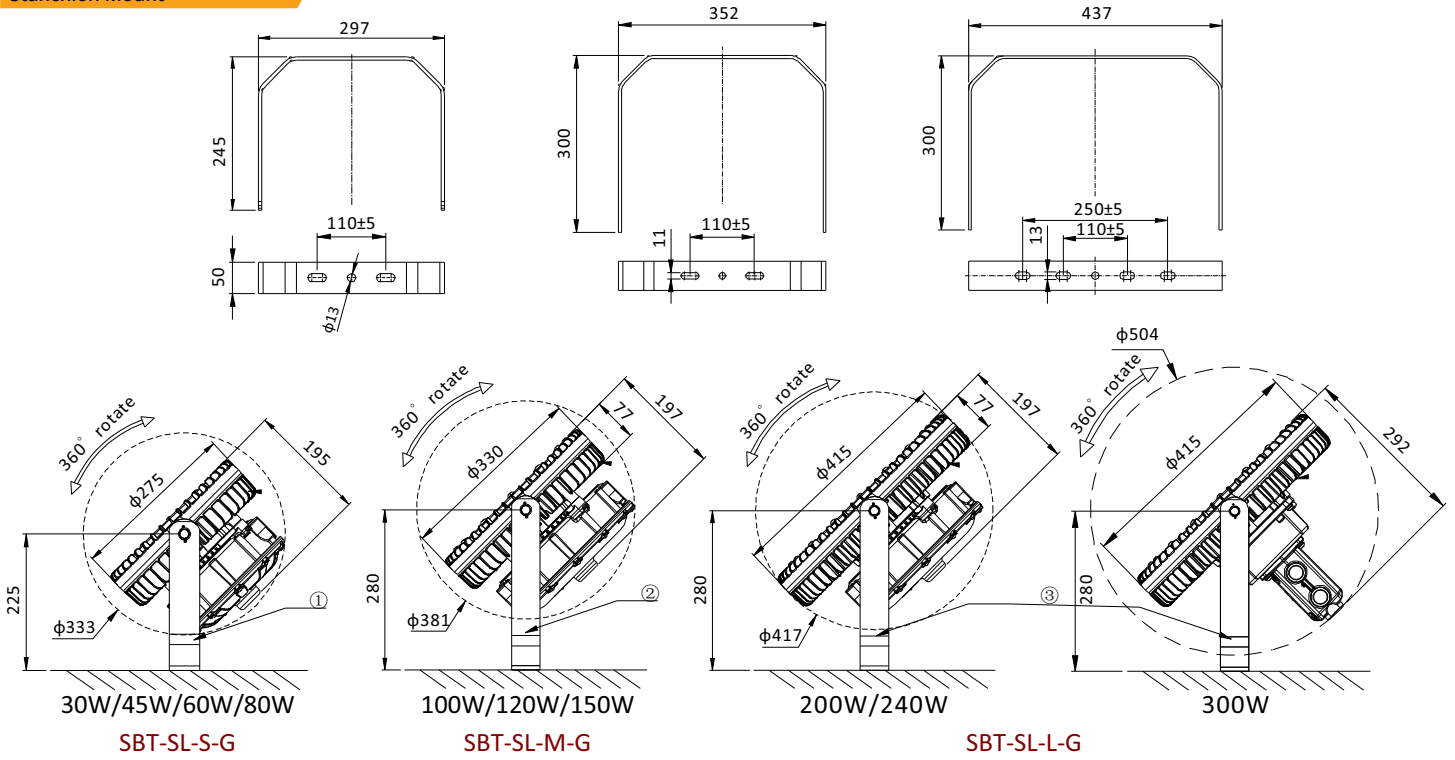
Weight: 1.34kg
30W|45W|60W|80W

Entry Type



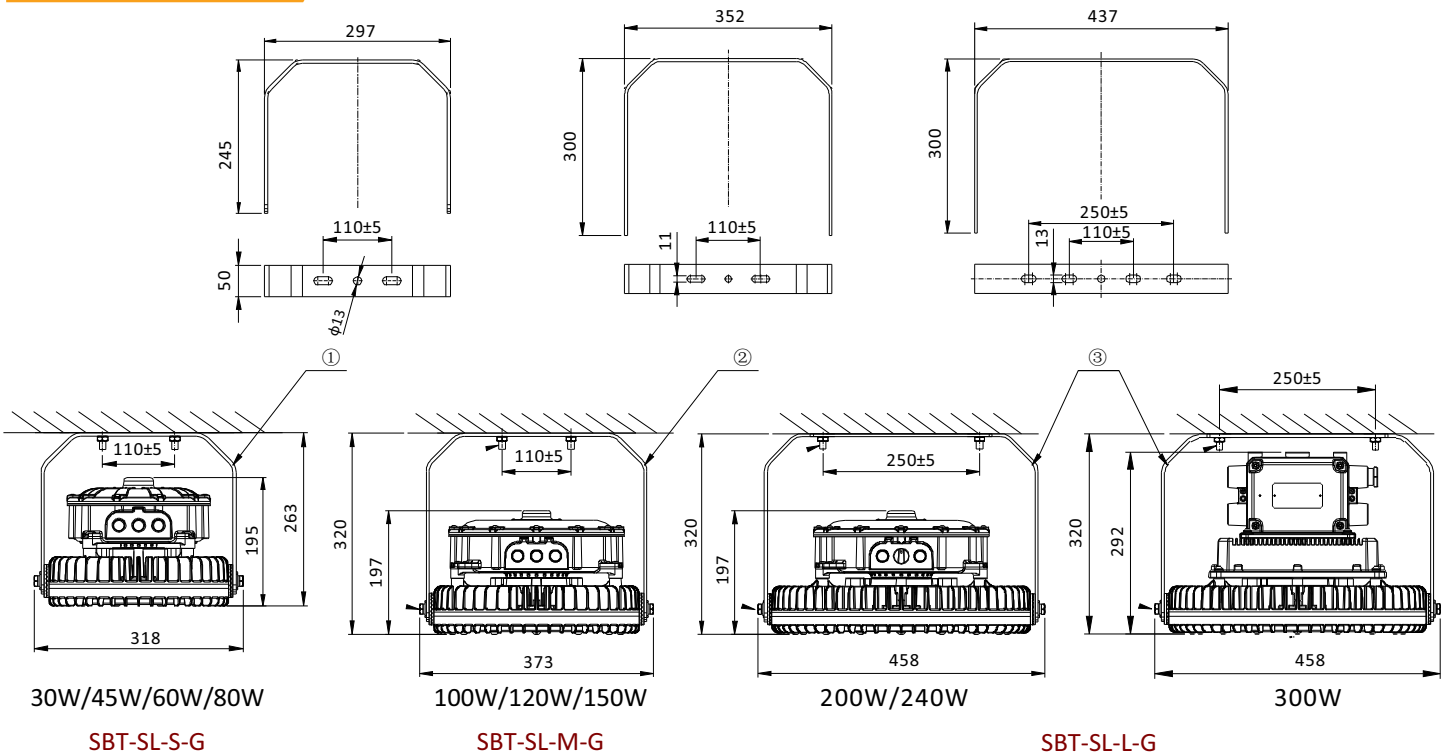
(unit:mm)

Stanchion Mount

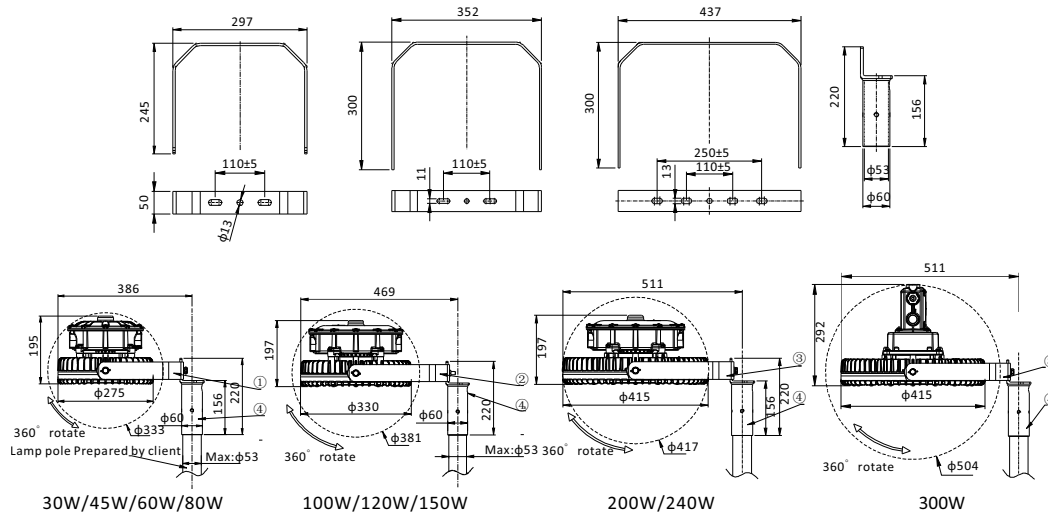


Ceiling Mount

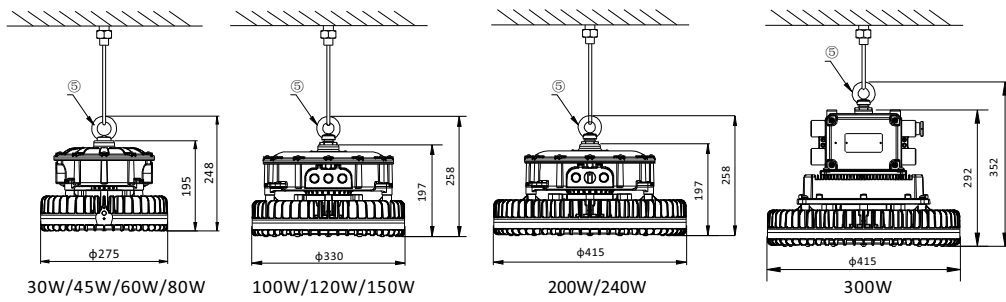
(unit:mm)



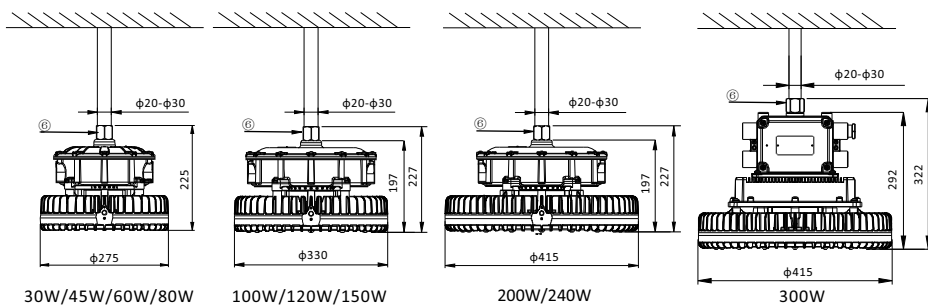
Pole Mount



Pendant Mount



Pipe Mount



Pole Mount

