

# SABRE SERIES

SABRE CURVED LIGHT BAR RANGE



3 YEAR WARRANTY  
\*ON LUMINAIRE



SIDE REFLECTIVE OPTICS



IP68 WATER RESISTANCE



CORROSION & RUST RESISTANT



EASY TILT ADJUST

40% BRIGHTER

UV/ SHOCK RESISTANT

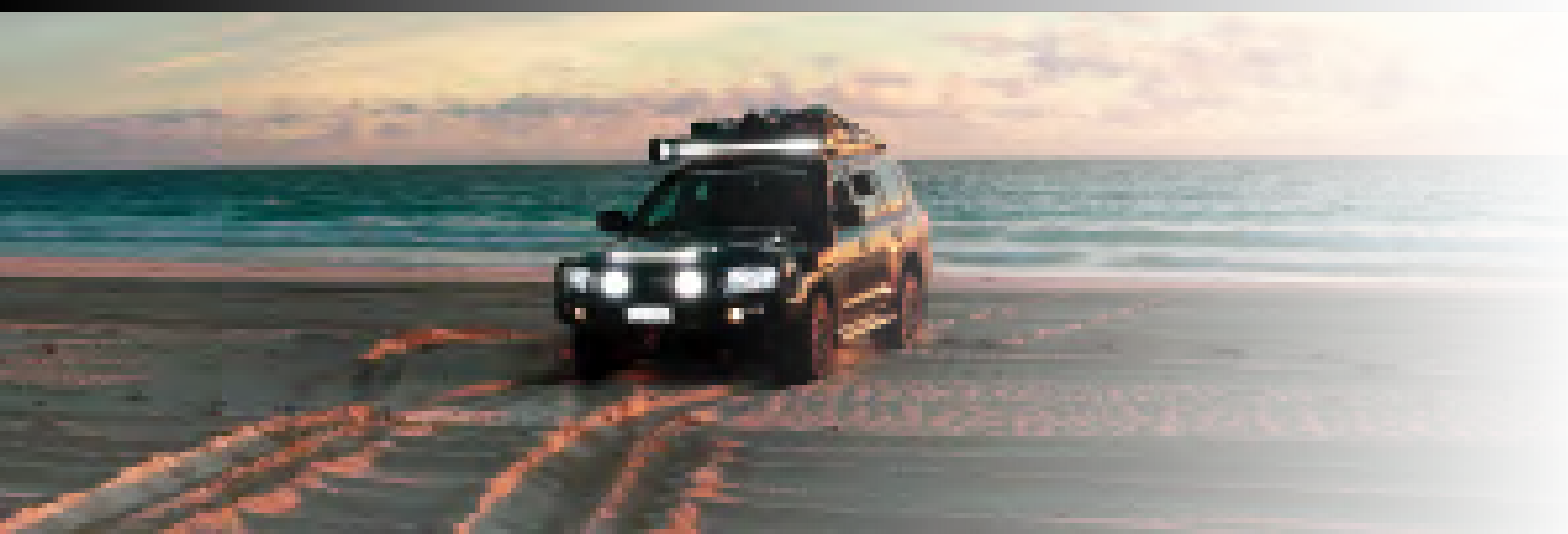
SUPER BRIGHT

EASY INSTALLATION

CURVED DESIGN FOR A STREAMLINED FINISH

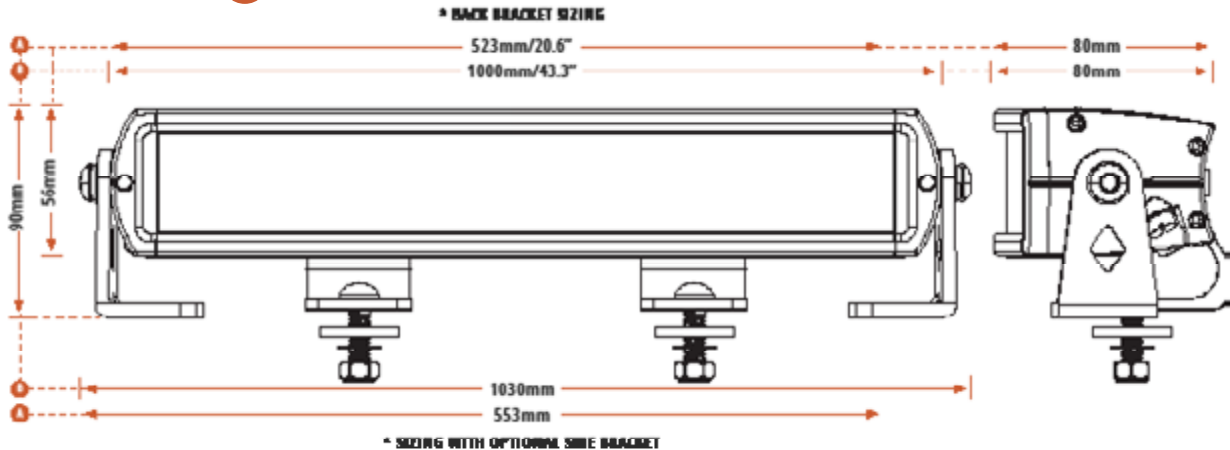
ULTRA CLEAR LEXAN PC FRONT COVER

EXTRUDED ALUMINIUM FOR SUPERIOR HEAT-SINK



**A** EVSC100LED | 20.6"

**B** EVSC220LED | 43.3"



# SABRE SERIES

SABRE CURVED LIGHT BAR RANGE



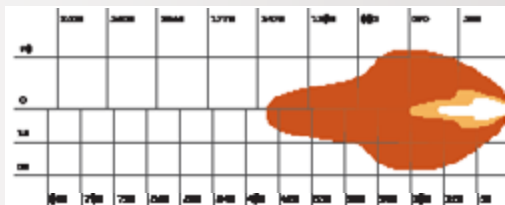
EVSC100LED | 20.6"

EVSC220LED | 43.3"

**SPECIFICATIONS**

<b>SPECIFICATIONS</b>	<b>WATTAGE</b>	100 WATT
	<b>LIGHT SOURCE</b>	10 × 10W ETI LEDS
	<b>LIGHT OUTPUT</b>	9,500 LUMEN
	<b>VOLTAGE</b>	9V-36V DC
	<b>AMP DRAW</b>	6.5A/3.1A
	<b>OPERATING TEMP.</b>	-40°C TO +60°C
	<b>IP RATING</b>	IP68
	<b>CONNECTOR TYPE</b>	DEUTSCH CONNECTOR
	<b>HOUSING</b>	6063 EXTRUDED ALUMINUM HEAT-SINK
	<b>LENS CONSTRUCTION</b>	POLYCARBONATE
	<b>BRACKET</b>	STAINLESS STEEL
	<b>LIFESPAN</b>	50,000 HOURS
	<b>NET WEIGHT</b>	2.25 KG
	<b>MOUNTING SUITABLE</b>	UPRIGHT STANDARD SIDE/ SLIDEABLE
<b>WARRANTY</b>	3 YEARS	
<b>BEAM</b>	SPOT	
<b>CODES</b>	EVSC100LED	

**SLIMLINE 45W CURVED LIGHT BAR**



**SLIMLINE 60W CURVED LIGHT BAR**

<b>WATTAGE</b>	220 WATT
<b>LIGHT SOURCE</b>	22 × 10W ETI LEDS
<b>LIGHT OUTPUT</b>	20,900 LUMEN
<b>VOLTAGE</b>	9V-36V DC
<b>AMP DRAW</b>	14.2A/6.8A
<b>OPERATING TEMP.</b>	-40°C TO +60°C
<b>IP RATING</b>	IP68
<b>CONNECTOR TYPE</b>	DEUTSCH CONNECTOR
<b>HOUSING</b>	6063 EXTRUDED ALUMINUM HEAT-SINK
<b>LENS CONSTRUCTION</b>	POLYCARBONATE
<b>BRACKET</b>	STAINLESS STEEL
<b>LIFESPAN</b>	50,000 HOURS
<b>NET WEIGHT</b>	4.65 KG
<b>MOUNTING SUITABLE</b>	UPRIGHT STANDARD SIDE/ SLIDEABLE
<b>WARRANTY</b>	3 YEARS
<b>BEAM</b>	SPOT
<b>CODES</b>	EVSC220LED

