



Ex VENTURA

PORTABLE WORK LIGHT

Emergency

- + Solid steel construction - robust and durable
- + High efficacy and lumen output
- + Secure battery box for increased safety
- + Two batteries included (24V 12Ah)
- + Low surface temperature: effective heat dissipation
- + Life span > 50,000 hours

Certifications & Compliance

- + Gas: II 2 G Ex d e IIC T5 Gb IP54
IECEX, ATEX, ABS, CE, RoHS Compliant

Area Classification

- + Group II Zone 1 & 21 and 2 & 22

Body Colour ● ●



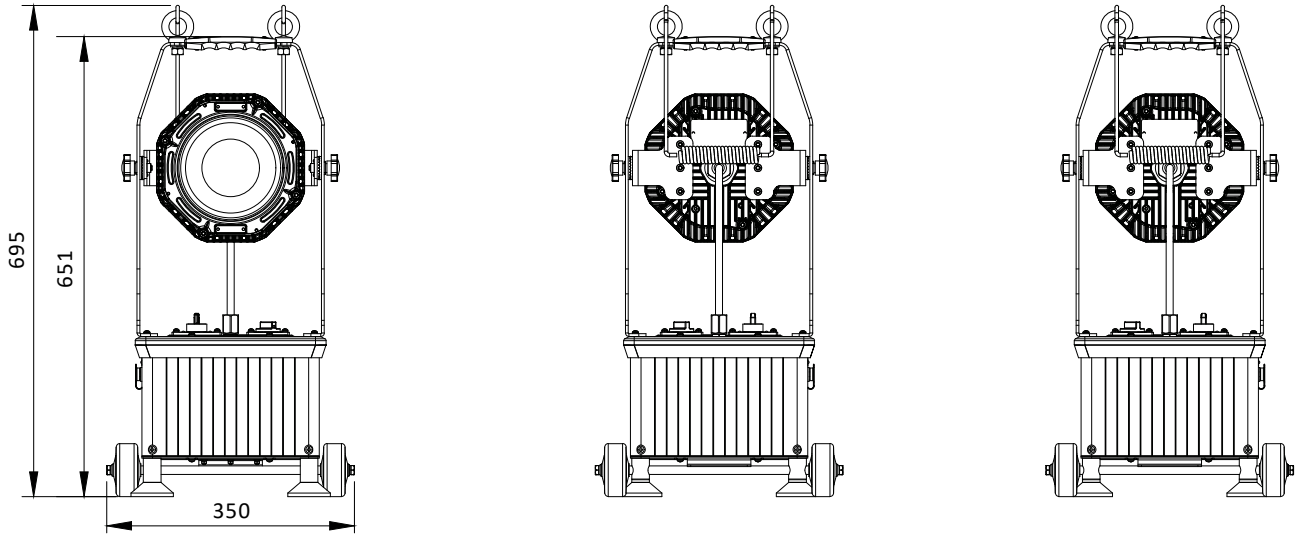
Specification

Model	ETG-EXVENTWL15	ETG-EXVENTWL30	ETG-EXVENTWL60
Power (W)	15	30	60
Luminous Flux (lm)	1900~2050	3800~4100	7560~8200
Input Voltage (V) (Hz)	100-277VAC - 50/60Hz	LED Driver Protection	Over voltage / Short Circuit
CCT(K)	3000±300 (WW), 4000±300(NW), 5000±300 (NW), 5700±300 (CW)	Insulation Class	I
CRI	70	Temp. Classification	T5
Luminaire Efficacy	126lm/W	Earthing Protection	M4 (Internal & external earth bolts)
Beam Angle	80°	Body	Die-cast aluminium alloy
IP Rating	IP54	Protective cover	Tempered glass
Ambient Temperature	-20°C ~+55°C	Coating	Epoxy powder coating
Dimensions (mm)	695*350*218	Exposed Fastener	Stainless steel
Weight (kg)	18	Body Colour	Orange RAL2011
Controls	Dimmer and Battery Level Indicator	Warranty	5 Years (50,000hrs) 1 Year Battery

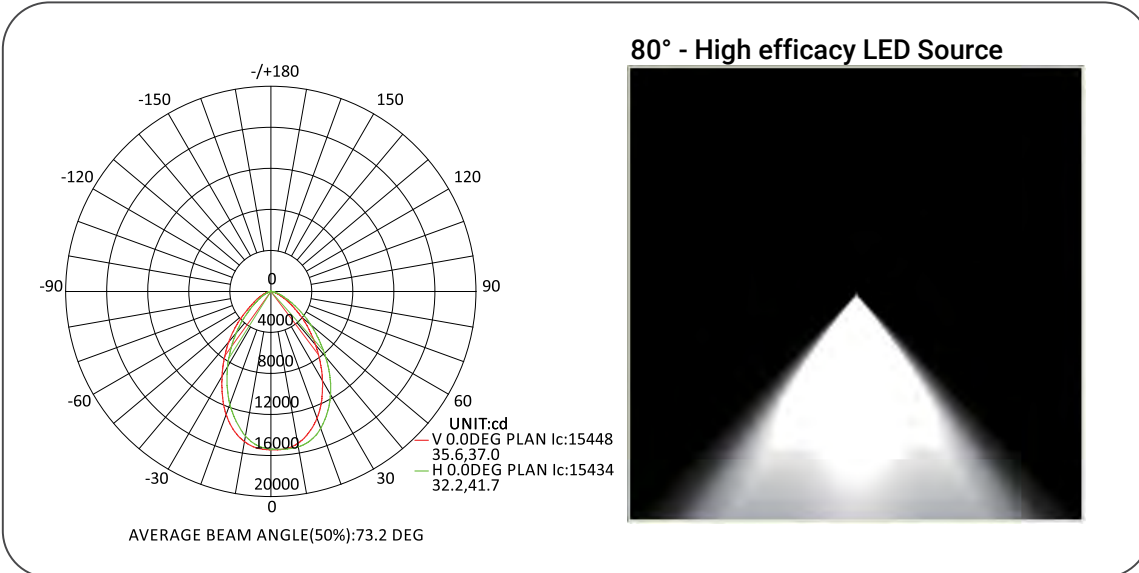
	Rated Capacity	Type	Lifespan	Lighting duration (W:hr)	Charging time (from 1%)
EMERGENCY	12 Ah	Lead-acid battery	300 cycles	15W : 12hrs 30W : 8Hrs 60W : 4Hrs	12~14 Hours



Dimensions



Candela Distribution



Accessory



Loop
Weight: 0.26kg